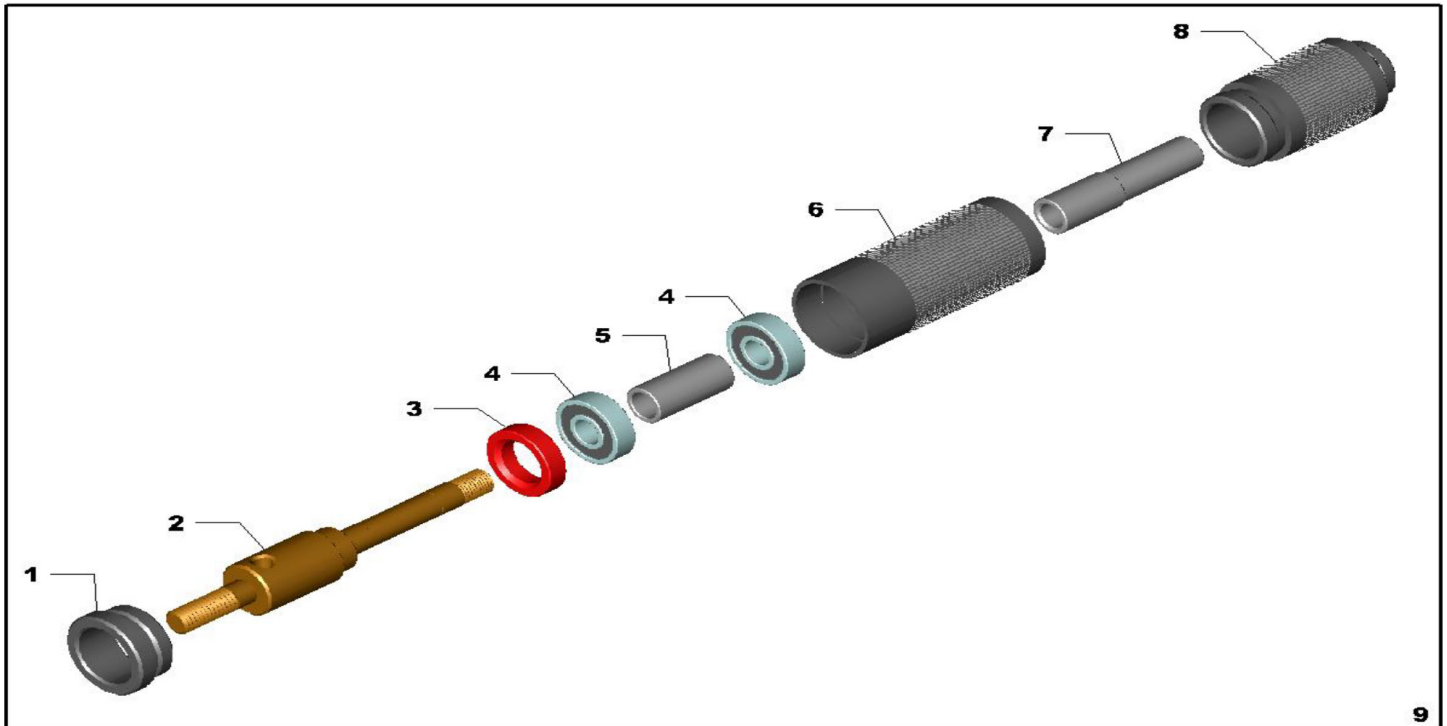


Parts Breakdown

Model FS-US-0246 45357

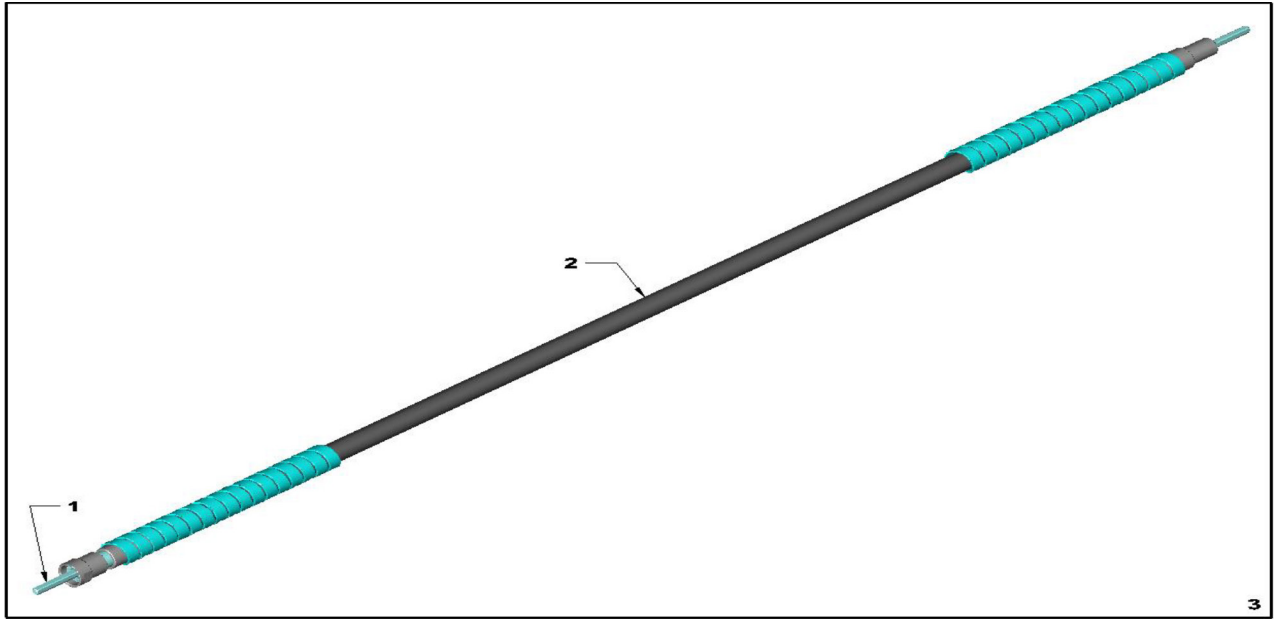
Hand Piece



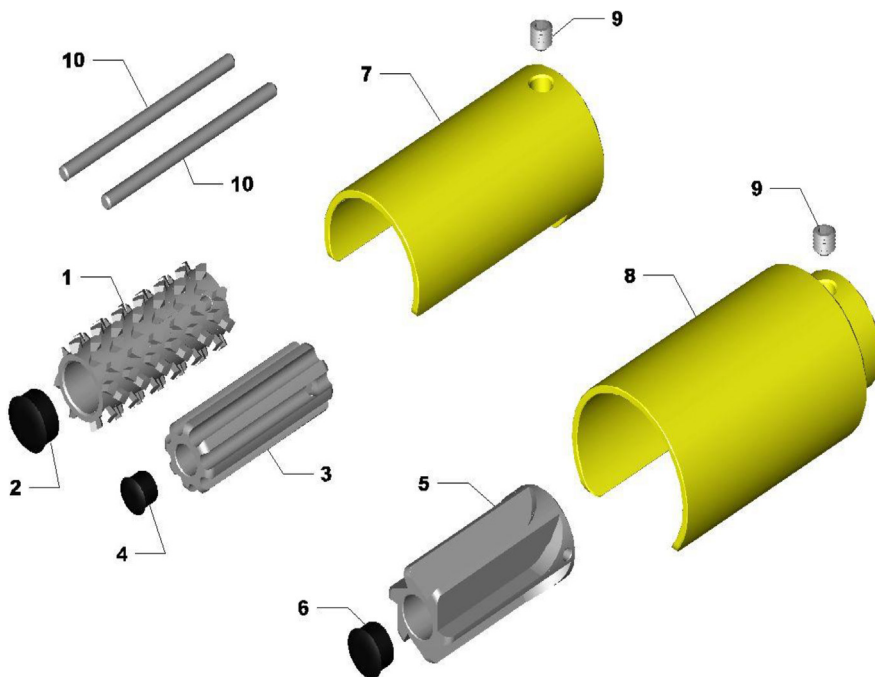
Parts Breakdown

Model FS-US-0246 45357

Shaft Assembly



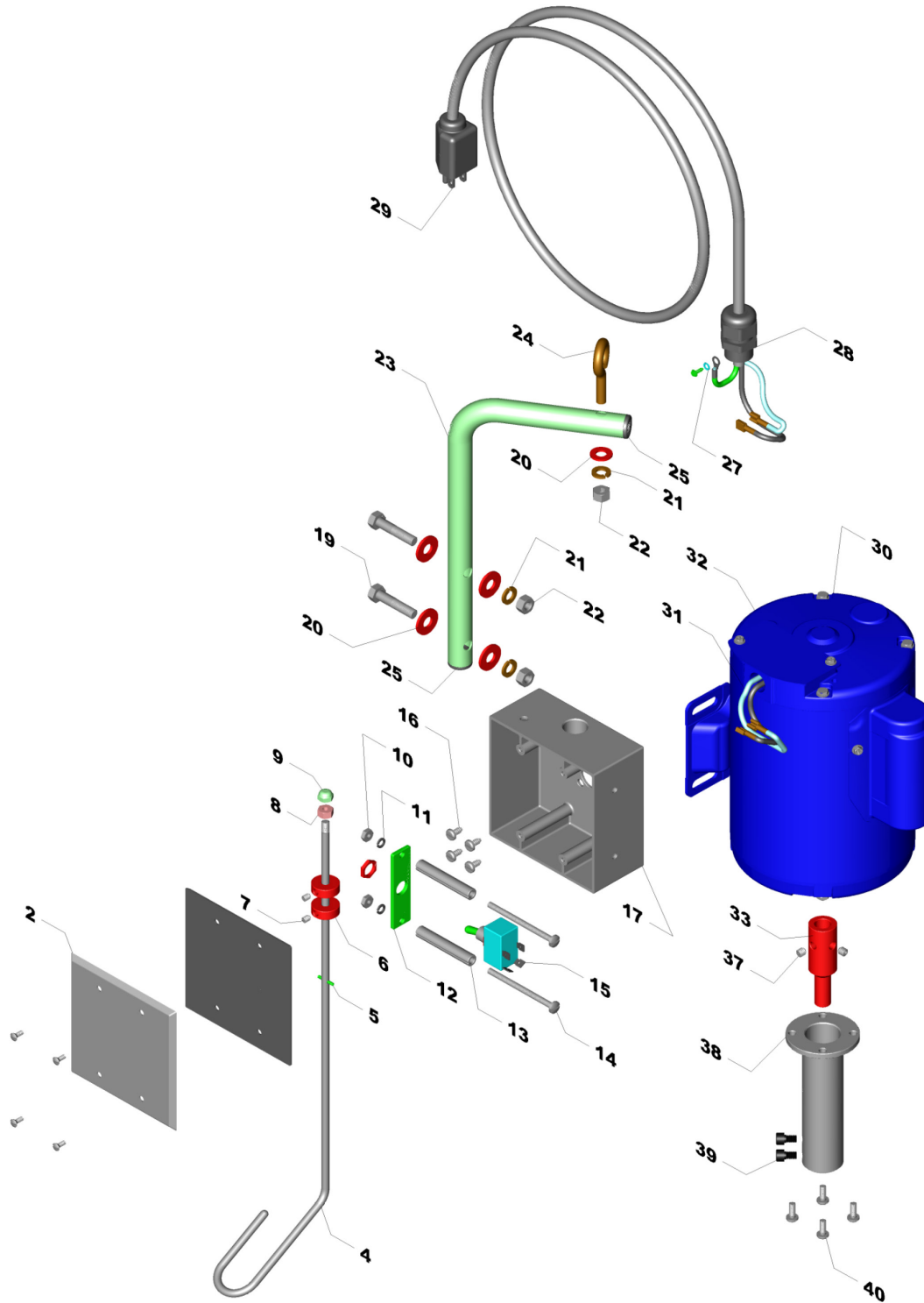
Cutters and Guards



Parts Breakdown

Model FS-US-0246 45357

Power Unit Assembly



Parts Breakdown

Model FS-US-0246 45357

Hand Piece

Item No.	Description	Position	Item No.	Description	Position	Item No.	Description	Position
67410	Cap Bearing for 45357	1	67413	Bearing for 45357	4	67416	Core Adapter for 45357	7
67411	Spindle for 45357	2	67414	Spacer for 45357	5	67417	Casing Adapter for 45357	8
67412	Oil Seal for 45357	3	67415	Housing for 45357	6	41753	Standard Duty Handpiece for 45357	9

Shaft Assembly

Item No.	Description	Position	Item No.	Description	Position	Item No.	Description	Position
41751	Standard Duty Core Only for 45357	1	41752	Flexible Shaft Casing Only for 45357	2	67418	Complete Shaft Assembly for 45357	3

Cutters and Guards

Item No.	Description	Position	Item No.	Description	Position	Item No.	Description	Position
67419	Diamond Pattern Cutter for 45357	1	37571	6 Flute Cutter (Large Scale) for 45357	5	67427	Guard of 6 Flute Cutter for 45357	8
67420	Diamond Pattern End Cap for 45357	2	67424	6 Flute Cutter End Cap for 45357	6	67428	Guard of 6 Flute Cutter with Set Screw for 45357	8A
37570	8 Flute Cutter (Small Scale) for 45357	3	67425	Guard of Diamond and 8 Flute Cutter for 45357	7	67429	Set Screw for 45357	9
67422	8 Flute Cutter End Cap for 45357	4	67426	Guard of Diamond and 8 Flute Cutter with Set Screw for 45357	7A	67430	Pin of Cutter Assembly for 45357	10

Power Unit Assembly

Item No.	Description	Position	Item No.	Description	Position	Item No.	Description	Position
37635	Cover for 45357	2	37629	Screw for 45357	14	37624	Electric Cord for 45357	29
37636	Scaler Shaft Hanger for 45357	4	37633	Switch for 45357	15	37631	Electric Motor for 45357	30
67431	Hanger with Spring Pin Nut and Acorn Nut for 45357	4A	67438	Screw for 45357	16	67446	Complete Power Unit without Core and Casing Adapters for 45357	30A
37637	Stainless Steel Roll Pin for 45357	5	37634	Electric Box for 45357	17	37638	Wiring Harness for 45357	31
67432	Switch Spacer for 45357	6	67439	Bolt for 45357	19	37632	Wire Nut for 45357	32
37622	Ring for 45357	6A	67440	Washer for 45357	20	67447	Core Adapter Standard Duty for 45357	33
67433	Set Screw for 45357	7	67441	Lock Washer for 45357	21	37627	Standard Core Adapter for 45357	33A
67434	Nut for 45357	8	67442	Nut for 45357	22	67448	Set Screw of Core Adapter for 45357	37
67435	Acorn Nut for 45357	9	67443	Hanger for 45357	23	67449	Casing Adapter for 45357	38
67436	Nut for 45357	10	37625	Hanger Assembly for 45357	23A	37628	Casing Adapter for 45357	38A
67437	Lock Washer for 45357	11, 27	67444	Eye Bolt for 45357	24	67450	Socket Cap Screw for 45357	39
37630	Switch Mounting Plate for 45357	12	67445	End Cap for 45357	25	67451	Pan Head Screw for 45357	40
37639	Spacer for 45357	13	37623	Strain Relief for 45357	28			